



## Technical Data

### Type

**CS3910**

### Image sensor

2/3" type 1.3 mega pixel progressive scan sensor

### Active pixel

1300 (H) x 1030 (V) square

### Pixel size

6.7 (H) x 6.7 (V)  $\mu\text{m}$

### Image Area

8.8(H) x 6.6(V) mm

### Scanning system

Non interlace

### Sync system

Internal synchronization

### Frame rate

12Hz (full resolution) / 24Hz (2 lines read out)

### Aspect ratio

5:4

### Illumination

100 lux (F4, 3200K), standard

1 lux (F1.4, Gain max.), minimum

### Video output

Digital: EIA-644 (data 10bit)

Analog: 1.0V / 75 Ohm

### S/N

>50 dB

### Gamma correction

1.0 Fix

### Electronic Shutter Spec

Normal Shutter

ON: 1/30s, 1/60s, 1/125s, 1/1000s, 1/2000s, 1/4000s, 1/10000s, 8 steps

OFF: 1/12s or 1/24s, depending on mode

RTS (Random Trigger Shutter)

Trigger timing is defined by an external trigger signal

### Lens mount

C-Mount

### Power supply

DC12V  $\pm$ 10% / approx 2.9W

### Ambient condition

Temperature: 0°C to 40°C

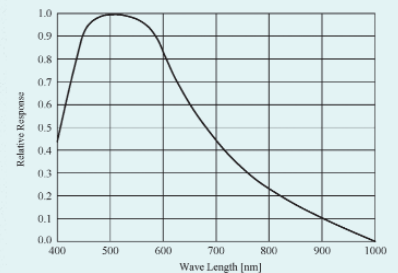
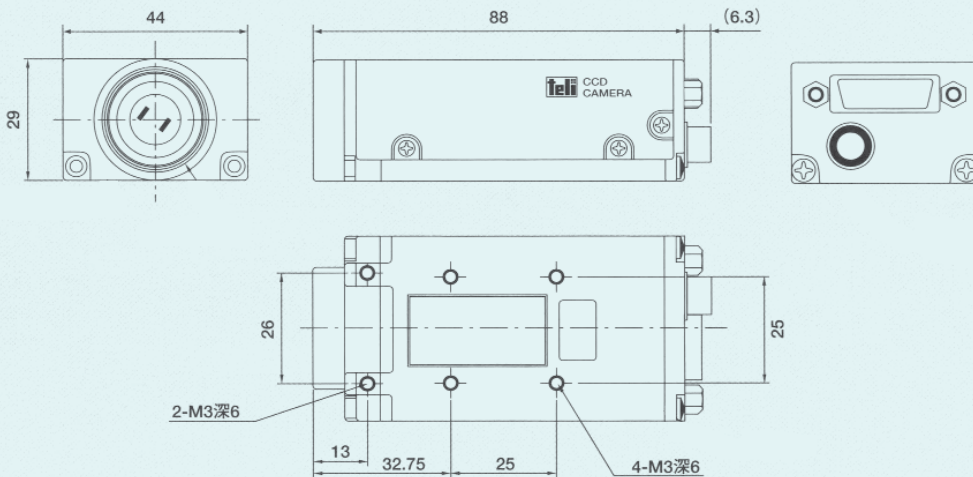
Humidity: 10 to 90%

### Dimension

44(W) x 29(H) x 88(D)mm

### Weight

Approx. 150g



### NEW ELECTRONIC TECHNOLOGY Vertriebs-GmbH

Lerchenberg 7 • D 86923 Finning, Germany • Phone: +49(0)88 06 - 92 34-0 • Fax: +49(0)88 06 - 92 34-77

E-mail: [info@net-gmbh.com](mailto:info@net-gmbh.com)

### NET USA, Inc.

3037-45th Street #8 • Highland, IN 46322 • Phone: (219) 934-9042 • Fax: (219) 934-9047

E-mail: [info@net-usa-inc.com](mailto:info@net-usa-inc.com)

[www.net-gmbh.com](http://www.net-gmbh.com)

# CS 3910H

**Monochrome 1.3 Mega Pixel Digital  
CCD Progressive Scan  
Video Camera with Partial Scan**



- **2/3" CCD Sensor**  
*Square grid pattern*
- **1.3 Mega pixel, 1300 (H) x 1030 (V)**
- **12fps at full resolution**
- **24fps in double-speed scan mode**
- **Partial Scan Mode**
- **Random Trigger Shutter (RTS)**
- **Multiple Shutter**
- **Digital and analog output**  
*EIA-644, Single channel 10bit*
- **Application**
  - *Factory automation*
  - *Microscopy*
  - *Quality control*



## Technical Data

### Type

**CS3910H**

### Image Sensor

2/3" type 1.3 mega pixel progressive scan sensor

### Active Pixel

1300 (H) x 1030 (V) square

### Pixel Size

6.7 (H) x 6.7 (V)  $\mu\text{m}$

### Image Area

8.8(H) x 6.6(V) mm

### Scanning System

Non interlace

### Sync System

Internal / External Sync

### Frame Rate

12Hz (full resolution) / 24Hz (2 lines read out)

### Partial Scan Mode

1/2 image read out from the screen center

### Aspect Ratio

5:4

### Automatic Gain Control

On/Off

### Illumination

100 lux (F4, 3200K), standard

1 lux (F1.4, Gain max.), minimum

### Video Output

Digital: EIA-644 (data 10bit)

Analog: 1.0V / 75 Ohm

### Output Signals

HD, VD, WEN: 4V(p-p)

### S/N

>50 dB

### Gamma Correction

1.0 Fix

### Electronic Shutter Spec

Normal Shutter

ON: 1/30s, 1/60s, 1/125s, 1/1000s, 1/2000s, 1/4000s, 1/10000s, 8 steps

OFF: 1/12s or 1/24s, depend on mode

RTS (Random Trigger Shutter)

Trigger timing is defined by external trigger signal

Multiple Shutter

Images can be exposed more than 1 time

### Lens Mount

C-Mount

### Power Supply

DC12V  $\pm$ 10% / approx 3.6W

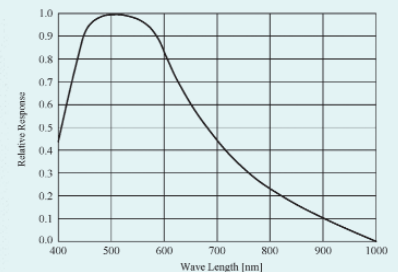
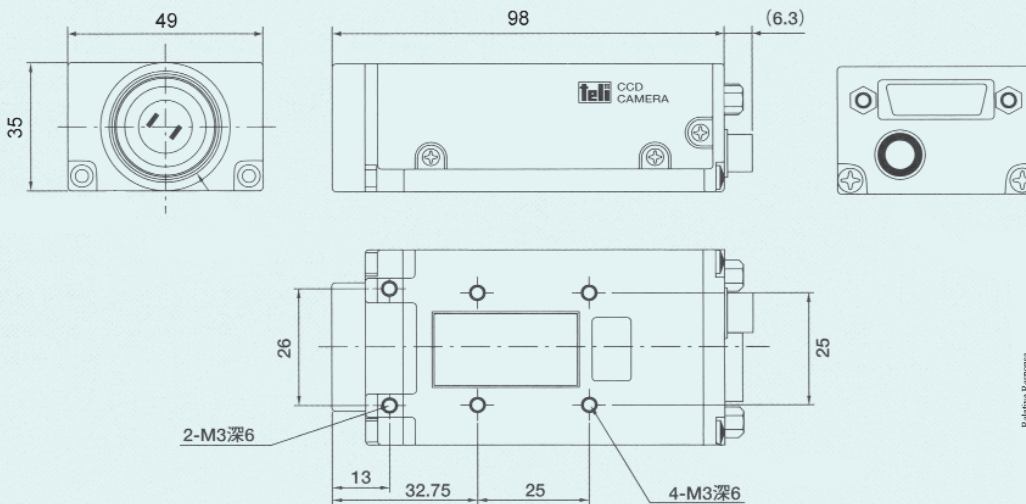
### Ambient Condition

Temperature:  $-5^{\circ}\text{C}$  to  $45^{\circ}\text{C}$

Humidity: 0 to 90%

### Dimension, Weight

49(W) x 35(H) x 98(D)mm, approx. 170g



### NEW ELECTRONIC TECHNOLOGY Vertriebs-GmbH

Lerchenberg 7 • D 86923 Finning, Germany • Phone: +49(0)88 06 - 92 34-0 • Fax: +49(0)88 06 - 92 34-77

E-mail: [info@net-gmbh.com](mailto:info@net-gmbh.com)

### NET USA, Inc.

3037-45th Street #8 • Highland, IN 46322 • Phone: (219) 934-9042 • Fax: (219) 934-9047

E-mail: [info@net-usa-inc.com](mailto:info@net-usa-inc.com)

[www.net-gmbh.com](http://www.net-gmbh.com)