

CSB 4000F

**4.0 Mega Pixel CMOS B/W Video Camera
with IEEE 1394 Interface**



- **IEEE1394 output**
- **Ultra-high resolution 2008 (H) x 2047 (V)**
- **Various shutter modes including**
 - Global shutter - all pixels simultaneously exposed
 - Random Trigger Shutter (RTS)
- **WOI-function**
Up to 16 arbitrary rectangular areas (region of interest) can be read out with increase frame rate
- **Sub-sampling**
Allows the output of an image with an increase frame rate at a lower resolution
- **High dynamic range**
By adjustable sensitivity characteristic
- **Application**
 - High end machine vision
 - Factory automation
 - Microscopy
 - Quality control



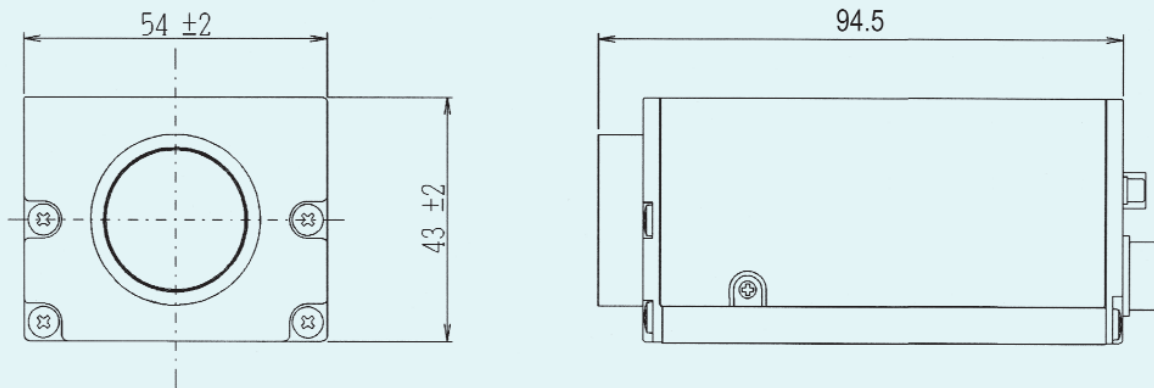
Technical Data

Type

CSB 4000F

Image sensor	CMOS Image sensor
Total pixel	2048 (H) x 2048 (V)
Active pixel	2008 (H) x 2047 (V)
Pixel size	6.0 μm (H) x 6.0 μm (V)
Image Area	12.228 mm x 12.228 mm
Driving frequency	33MHz
Scanning line	2047 lines Progressive Scan
Frame rate	7.29fps (full resolution) 83 fps (640x480)
Sync system	Internal / External automatic switch-over
Digital output	IEEE1394 Std. 1394a - 2000, transfer rate 400 Mbps
Protocol	IIDC 1394 Version 1.3
WOI-function	Output of up to 16 WOI with increased frame rate
Signal / Noise ratio	>50dB
Input signal	Trigger, CLOCK, COMMAND, Exposure control
Output signal	CLOCK 33.00000MHz +/-100ppm (Internal-sync)
Sensitivity setting	FIX (FIX GAIN) by external signal PGC (PROGRAMABLE GAIN CONTROL)
Gamma	1.0
Shutter modes	Random trigger shutter, Synchronized global shutter, Rolling shutter
Power source	8 VDC - 30 VDC via IEEE connector
Ambient condition	Temperature: 10°C~50°C Humidity: 20%~80%
Lens mount	C-mount (optional TFL-mount)
External dimension	54 (W) x 43 (H) x 94.5 (D)mm
Weight	Approx. 220 g
Accessories	<ul style="list-style-type: none">• Data Cable with double-terminated connector (3m)• Tripod mounting kit• IR cut filter

Dimension



NEW ELECTRONIC TECHNOLOGY Vertriebs-GmbH

Lerchenberg 7 • D 86923 Finning, Germany • Phone: +49(0)88 06 - 92 34-0 • Fax: +49(0)88 06 - 92 34-77

E-mail: info@net-gmbh.com

NET USA, Inc.

3037-45th Street #8 • Highland, IN 46322 • Phone: (219) 934-9042 • Fax: (219) 934-9047

E-mail: netusa@bellsouth.net

www.net-gmbh.com