



CV-S3200/S3300 SERIES ***DSP Surveillance Color CCD Camera***



- ***With new super sensitive 1/2" and 1/3" sensor EXview HAD CCD™***
- ***PAL: 752 (h) x 582 (v) pixels. NTSC: 768 (h) x 494 (v) pixels***
- ***Improved sensitivity and image performance***
- ***Based on latest Digital Signal Processing (DSP)***
- ***VBS and Y/C video output***
- ***Extended sensitivity with integration for low light applications***
- ***Automatic shift from shutter to integration for wider light range***
- ***Output for video controlled and direct drive iris***
- ***On-screen menu control with push buttons on rear***
- ***Horizontal scan reversal. (Mirror image)***
- ***Back light compensation with selectable patterns***
- ***RS 232C interface/Windows 95/98/NT setup software***

The leading manufacturer of high performance camera solutions

Specifications for CV-S3200/3300 Series

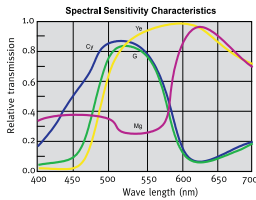
Specifications	PAL	NTSC
Scanning system	625 lines 25 frames/sec. 2:1 interlaced	525 lines 30 frames/sec. 2:1 interlaced
CCD sensor	Color 1/2" and 1/3" IT EXview HAD CCD™	
Sensing area: 1/2" (CV-S3200) 1/3" (CV-S3300)	6.6 (h) x 4.8 (v) mm 4.9 (h) x 3.7 (v) mm	
Effective pixels	752 (h) x 582 (v)	768 (h) x 494 (v)
Cell size: 1/2" (CV-S3200) 1/3" (CV-S3300)	8.6 (h) x 8.3 (v) μm 6.5 (h) x 6.25 (v) μm	8.4 (h) x 9.8 (v) μm 6.35 (h) x 7.4 (v) μm
Resolution (horizontal)	>450 TV lines	
Sensitivity on sensor	0.09 Lux (AGC on, 50% video, 2856K) 0.025 Lux (with 4 fields integration)	
S/N ratio	>50 dB (AGC off, Gamma 1.0)	
Video output	1.0 Vpp, 75 Ohm. VBS and Y/C	
Gain mode	Fixed, AGC 12 dB, AGC 24 dB, Manual	
Gain range: Fixed AGC 12 dB AGC 24 dB Manual	0 dB 0 to +12 dB 0 to +24 dB 0 to +24 dB	
Gamma	0.45, 0.6, 1	
White balance	3200K, 4600K, 5600K, Auto, Manual	
Iris control	Direct drive or video controlled	
Iris direct drive	±Drive and ±Damp. Level adjust	
Iris video output	1Vpp video and +9V DC	
Back light compensation	Off, Pattern 1, pattern 2, Pattern 3	
Synchronization	Internal X-tal or external lock	
External lock input	1 Vpp. VBS or composite sync.	
Scanning reversal	Off, On (horizontally mirrored)	
Shutter	Off (1/50 PAL, 1/60 NTSC), 1/125, 1/250, 1/500, 1/1000, 1/2000, 1/4000, 1/10,000 sec., CCD Iris, Flickerless (1/120 PAL, 1/100 NTSC)	
Extended sensitivity (Integration)	Off, Sensitive 1, Sensitive 2, Exposure time 2 or 4 fields	
Camera setup	On-screen menu or RS 232C	
Functions for on-screen Menu and RS 232C	Shutter, Integration, Gain, Gamma, Back light, Scan reversal, White balance, Iris level control	
Functions RS 232C only	Back light pattern	
Operating temperature	-5°C to +45°C	
Humidity	20-80% non-condensing	
Power	12V DC ± 10%. 3W	
Lens mount	CS-mount	
Flange back adjust	± 1 mm	
Dimensions	45 x 55 x 110.2 mm (HxWxD)	
Weight	350 g	

Ordering Information

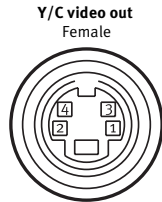
CV-S3200P 1/2" DSP Surveillance Color Camera. PAL
 CV-S3300P 1/3" DSP Surveillance Color Camera. PAL
 CV-S3200N 1/2" DSP Surveillance Color Camera. NTSC
 CV-S3300N 1/3" DSP Surveillance Color Camera. NTSC
 RS 232C Interface Cable for CV-S3200*
 RS 232C Interface Cable for CV-S3300*
 Lens plug, Y/C plug and C-mount adapter are included.

* Must be ordered separately

Spectral Sensitivity

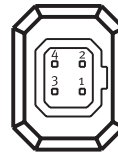


Connection Description



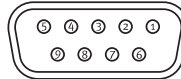
- Pin 1 GND
- 2 GND
- 3 Y out
- 4 C out

Lens connector Female



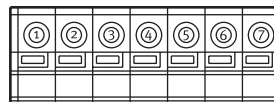
- Pin 1 +9 V/-Damp
- 2 NC/+Damp
- 3 Video/+Drive
- 4 GND/-Drive

DC IN/Sync./RS 232C Sub-D. Male



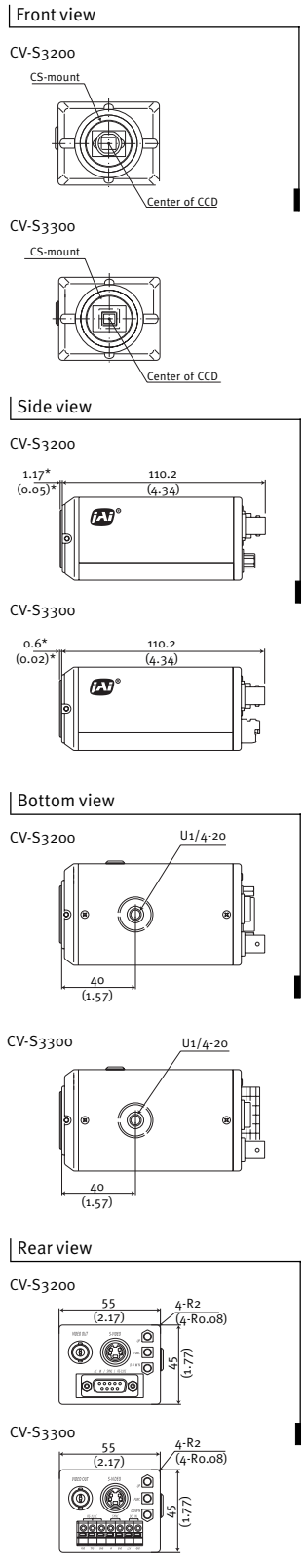
- Pin 1 GND
- 2 +12V DC
- 3 GND
- 4 Video out
- 5 Sync. in
- 6 Y out
- 7 C out
- 8 Tx out
- 9 Rx in

Terminal on CV-S3300 7 pin terminal



- Pin 1 Rx in
- 2 Tx out
- 3 GND
- 4 Sync. in
- 5 GND
- 6 +12V DC
- 7 GND

Dimensions



JAI A-S, Denmark
 Phone +45 4457 8888
 Fax +45 4491 8880
 www.jai.com

JAI Corporation, Japan
 Phone +81 45 933 5400
 Fax +81 45 931 6142
 www.jai-corp.co.jp

JAI UK Ltd., England
 Phone +44 1442 879 669
 Fax +44 1442 879 281
 www.jai.com

JAI America Inc., USA
 Phone +1 949 472-5900
 Fax +1 949 472-5908
 www.jai.com

JAI OY, Finland
 Phone +358 9 8256220
 Fax +358 9 870 3345



THE MECHADEMIC COMPANY

Visit our web site on www.jai.com