

# FOculus

*Always a new perspective*



# FO113T

## FO113T

[www.net-gmbh.com](http://www.net-gmbh.com)

### IEEE 1394 Digital CCD Camera

- *1/4" Progressive Scan CCD Image Sensor*
- *Resolution 330,000 (square pixel) VGA*
- *IEEE1394.a acc. IIDC v.1.3 Interface*
- *FO113T = Color*
- *Framerate 30fps*
- *Camera setting via IEEE1394 Interface*
- *Solid and highly shock-resistant camera casing*
- *Application:*
  - *Machine Vision*
  - *Factory Automation*
  - *Quality Control*
- *Application Software included*
- *SDK optional*

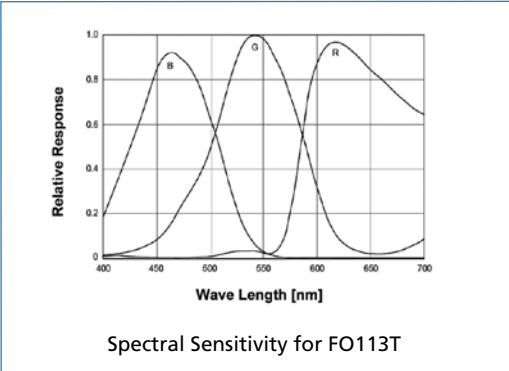
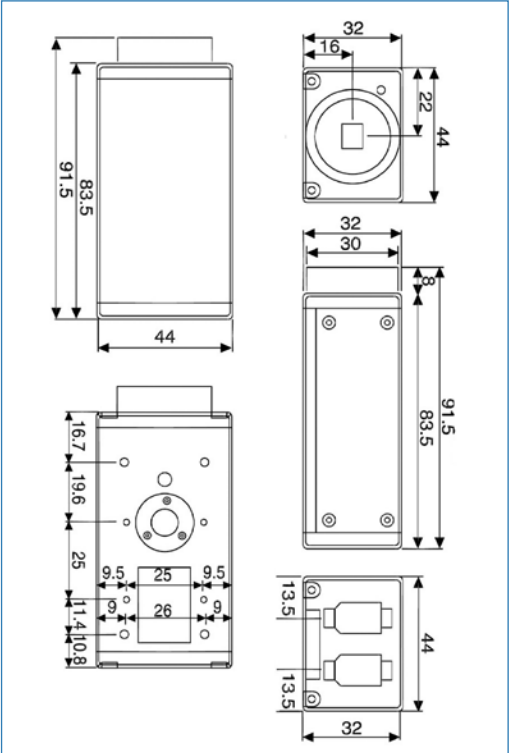
  
NEW ELECTRONIC TECHNOLOGY

# Technical Data

# FO113T

## FO113T (Color)

Image Sensor	1/4" IT CCD ICX098BQ
Active pixel	330,000 pixel, 659 (H) x 494 (V) VGA
Data path	RGB 24bit, Y800, YUV 4:1:1, YUV 4:2:2, YUV 4:4:4,
Pixel size	5.60 (H) x 5.60 (V) $\mu\text{m}$
Image area	4.60 (H) x 3.97 (V) mm
Scanning System	Progressive Scan
Frame rate	30 fps
Synchronization	Internal
Digital Interface	IEEE1394a
Software Interf.	Acc. IIDC v. 1.3
Gain control	Auto
Gamma	1.0
Min. Illumination	20 lux @ F2.0
S/N ratio	56 dB or better
Power supply	12 VDC via the IEEE1394 cable
Power consump.	approx. 85 mA
Transfer rate	400 Mbps
White Balance	Auto or Manual
Shutter Speed	0.3 ms - 33 ms
Lens mount	C-mount
Dimension	44 (W) x 32 (H) x 92 (D)mm / Approx. 200g



**Accessories:** • IEEE 1394 cable, 6-pin • SDK (Software Development Kit) • OHCI Card • Tripod Adapter Plate

## Contact

**New Electronic Technology**  
 Vertriebsgesellschaft mbH  
 Lerchenberg 7 • D-86923 Finning

Fon +49 8806 92 34-0  
 Fax +49 8806 92 34-77  
 info@net-gmbh.com

[www.net-gmbh.com](http://www.net-gmbh.com)

**NET USA, Inc.**  
 3037 - 45th Street  
 Highland, IN 46322

Fon +1 219 934 90 42  
 Fax +1 219 934 90 47  
 info@net-usa-inc.com

[www.net-usa-inc.com](http://www.net-usa-inc.com)

