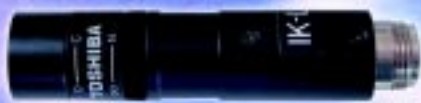
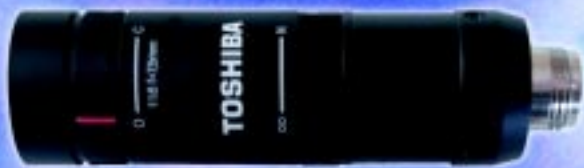




IK-C44H



IK-UM44H



IK-M44H



IK-CU44A

This versatile, powerful new camera system is compatible with 1/2" and 1/3" heads and C-mount lenses. Endoscopy, microscopy, machine vision, broadcast and education are just some of its many applications. The system delivers excellent image resolution, while its compact dimensions provide for greater flexibility in mounting choices.

- 470 line resolution from all heads
- RS-232C allows PC Control of CCU
- 768TV Line Horizontal Resolution
- 1/60 to 1/10,000 Sec. Electronic Shutter
- Excellent low-light performance
- Choice of three camera heads
- Compact, lightweight, easy to install

SPECIFICATIONS

Camera Control Unit (IK-CU44A)

| | |
|--------------------------------------|---|
| Power Supply | DC12V±0.5V |
| Power Consumption | 310 mA |
| Effective Image Area | H: 6.54mm, V: 4.89mm (1/2 inch type) |
| Scanning System | 2:1 Interlace |
| Scan Frequency | H: 15.734 kHz, V: 59.94 Hz |
| Sync System | Internal/External (auto switching) |
| Resolution | H: More than 470 lines, V: More than 350 lines |
| S/N Ratio | 46dB or more |
| Video Output | VBS 1.0 V(p-p), BNC terminal NTSC System Y/C separation output (S terminal) |
| Output Impedance | 75ohms unbalanced |
| External Sync Input | VBS 1.0V (p-p) (BNC terminal) NTSC 75ohm unbalanced |
| Adjustment function | Subcarrier phase, H phase |
| White Balance | Automatic/set/manual |
| Gain Switch (AGC) | SENS UP (+6 dB)/ON/OFF |
| Electronic Shutter | Automatic, 1/60s, 1/100s, 1/250s, 1/500s, 1/1000s, 1/2000s, 1/4000s, 1/10000s, synchronization scan |
| Operating Temperature | 14°F to 104°F (-10C to +40C) |
| Operating Humidity | less than 90% |
| Anti-vibration/shock characteristics | 70 m/s ² (10 to 200 Hz)/700 m/s ² |
| Weight | Control Unit: 0.86 lbs (390g) |
| Dimensions | W: 3.35", H: 1.57", D: 6.14" (W: 85mm, H: 40mm, D: 156mm) |

IK-C44H (C-Mount Camera Head)

| | |
|--|------------------------------------|
| Image Sensor | 1/2 inch IT CCD |
| Effective Pixels | H: 768, V: 494 |
| Effective Image Area | H: 6.54mm, V: 4.89mm |
| Resolution | H: more than 470, V: more than 350 |
| Standard Intensity of Illumination for objects | 20 lx (F1.2, 3000K) |
| Minimum Intensity of Illumination for objects | 1.5 lx (F1.2, 3000K) |
| S/N Ratio | 46dB or more |
| Lens Mount | C-Mount |
| Weight | 2.8 oz (78g) |

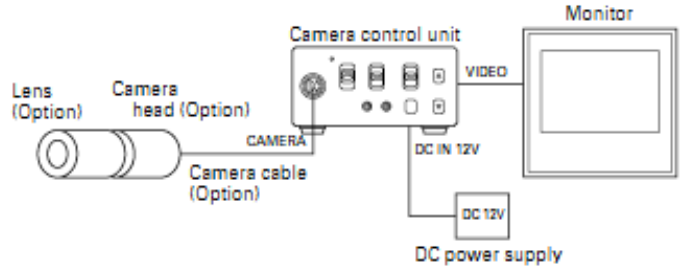
IK-UM44H (1/3 inch Camera Head)

| | |
|--|------------------------------------|
| Image Sensor | 1/3 inch IT CCD |
| Effective Pixels | H: 768, V: 494 |
| Effective Image Area | H: 6.54mm, V: 4.89mm |
| Resolution | H: more than 470, V: more than 350 |
| Standard Intensity of Illumination for objects | 40 lx (F1.6, 3000K) |
| Minimum Intensity of Illumination for objects | 3.5 lx (F1.6, 3000K) |
| Weight | .33 oz (10g) |

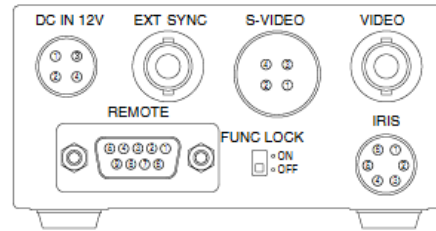
IK-M44H (1/2 inch Camera Head)

| | |
|--|------------------------------------|
| Image Sensor | 1/2 inch IT CCD |
| Effective Pixels | H: 768, V: 494 |
| Effective Image Area | H: 6.54mm, V: 4.89mm |
| Resolution | H: more than 470, V: more than 350 |
| Standard Intensity of Illumination for objects | 30 lx (F1.6, 3000K) |
| Minimum Intensity of Illumination for objects | 2.5 lx (F1.6, 3000K) |
| Weight | .6 oz (18g) |

CONNECTION

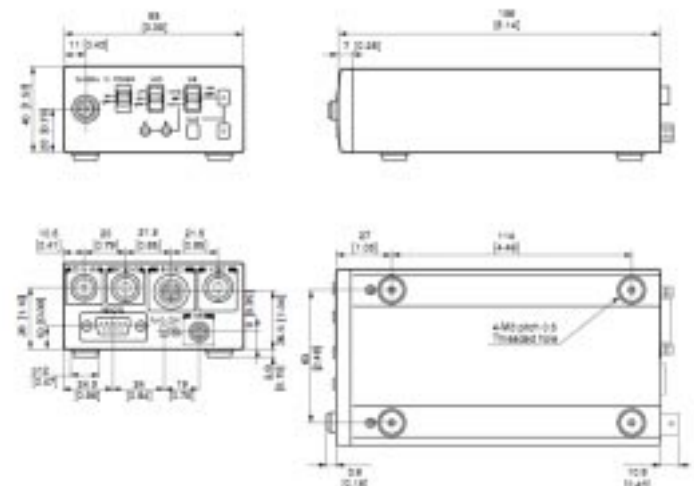


PIN ASSIGNMENTS



| DC IN 12V | S-VIDEO | REMOTE | IRIS |
|-----------|---------|--------|---------|
| 1 +12V | 1 +12V | 1 NC | 1 NC |
| 2 +12V | 2 +12V | 2 TXD | 2 VIDEO |
| 3 GND | 3 Y | 3 RXD | 3 GND |
| 4 GND | 4 C | 4 DSR | 4 +12V |
| | | 5 GND | 5 GND |
| | | 6 DTR | 6 NC |
| | | 7 CTS | |
| | | 8 RTS | |
| | | 9 NC | |

DIMENSIONS



©2004 Toshiba America Information Systems, Inc. All rights reserved. All products and names mentioned are the property of their respective owners. While Toshiba has made every effort at the time of publication to ensure the accuracy of the information provided herein, product specifications, configurations, prices, system/component/ options availability are all subject to change without notice.