

High-Sensitivity 1/2" CCD Color CCTV Video Camera



FEATURES

- 750 horizontal lines with a high sensitivity of F9.5 at 2,000 lx and minimum illuminance of 6 lx
- High-resolution frame integration mode boosts vertical resolution to 480 lines
- Full-time automatic operation
- Standard 1/2" bayonet mount
- Memory function
- Comprehensive input and output terminals
- Negative video function

ARCHITECTS' AND ENGINEERS' BID SPECIFICATION

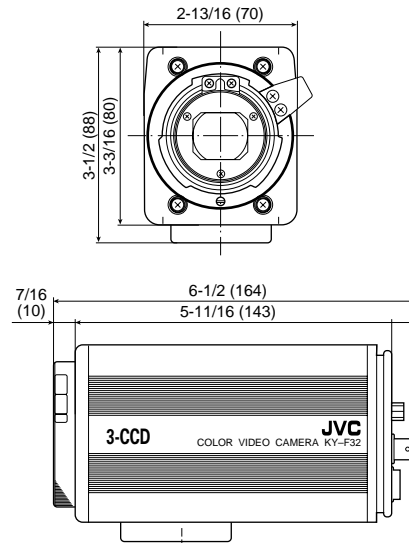
The industrial standard bayonet mount 1/2" 3-CCD color DSP cameras shall be a JVC KY-F32U or equivalent. The camera shall incorporate three 1/2" interline-transfer CCD pickup device with 380,000 (768 (H) x 494 (V)) effective pixels for separated R,G,B, and built-in F1.4 optical prism for accurate color separation with no optical distortions. The scanning system shall be 2:1 interlaced. The camera shall produce a horizontal resolution of 750 TV lines and a signal to noise ratio of 60dB for sharp, accurate and noise free picture. The camera shall feature an Automatic Gain Control (AGC) circuit or selectable gain levels to provide clear images in various light conditions. The camera shall deliver a sharp color picture sensitivity of F9.5 at 2000 Lux or a scene illumination of 6 Lux at F1.4 with 100% of video level. The camera shall feature 3 dimension detect Automatic Tracking White balance for accurate color reproduction between 2,900 to 8,000°K of color temperature or Manual adjustment for flexible operation in a wide range of environments. The camera shall have user-friendly on-screen set up for adjustment of H. phase, SC coarse, Iris detection, shutter speed, Pedestal level, Gamma, Contour, camera ID, and manual white balance. The camera synchronization shall be internal or external by Composite video or Black Burst signal. The camera will feature Automatic Electronic Shutter (AES) which is equivalent to continuous variable shutter speed between 1/60 to 1/2000 second and allows for the use of manual mode. The camera will feature Variable Scan mode between 1/60.3 to 1/2074.6, Frame integration mode, Negative video function, and built-in color bar generator. The camera output signal shall be composite (BNC / 9-pin D-sub), Y/C, RGB, and Component by 9-pin D-sub connector. The camera shall feature optional remote control by wired or RS-232 that controls full function of camera. Power source shall be DC12V with lock-in din connector. The camera's dimensions shall not exceed 3-3/16 H (without base) x 2-13/16" W x 6-1/2" D. The unit shall be UL listed.

Specifications

Image pickup device	1/2" interline CCD x 3 (R, G, B)
Color separation optical system	1/2" F1.4, R, G, B, 3-color separation prism
Number of pixels (effective)	380,000
Color system	Wideband R-Y, B-Y encoder
Synchronizing system	Internal/external
Color bar generator	Built-in, SMPTE type
Lens mount	1/2" bayonet
Sensitivity	F9.5/2,000 lx
Minimum required illumination	6 lx (F1.4, 18 dB, 100% IRE video level)
Electric gain	0 dB, 6 dB, 9 dB, 12 dB, 18 dB, ALC
S/N ratio (standard)	60 dB (Detail correction OFF, Gamma 1)
Detail correction	Dual-edged
Horizontal resolution	750 TV lines (Y signal), 580 TV lines (R, G, B signal)
Registration	0.05% (excluding lens characteristics)
Electronic shutter	1/60, 1/100, 1/250, 1/500, 1/1000, 1/2000 sec., EEI
Variable scan	1/60.3 to 1/2074.6
Negative video function	Provided
Frame integration mode	Provided
External sync signal input	Composite video signal 1 V(p-p), 75 ohm or black burst signal 0.45 V(p-p), 75 ohm
Output signals	
Composite video signal	1 V(p-p), 75 ohm BNC connector one channel, D-SUB 9-pin connector one channel
Y/C signal	Y: 1 V(p-p), 75 ohm (including sync) C: 0.3 V(p-p), 75 ohm (burst) D-SUB 9-pin connector one channel
RGB signal	0.7 V(p-p), 75 ohm (without sync) each D-SUB 9-pin connector one channel
Component signal	Y: 1V (p-p), 75 ohm D-SUB 9-pin connector one channel
Composite sync signal	2 V(p-p), 75 ohm D-SUB 9-pin connector one channel
Remote input	Applicable to the RM-LP55U/LP57U convertible to RS-232C with optional VC-P893U/894U
Power supply	12 V DC(10.5 to 15 V)
Power consumption	0.7 A (camera only), 1.1 A (maximum load)
Ambient temperature range	-5°C to +40°C (23°F to 104°F)
Weight	1.9 lbs. (850g)
Accessories	DC cable (VC 462-2 2m) x 1

Dimensions

Unit: inches (mm)



Options



RM-LP55U
Camera remote control unit



RM-713MDU
Lens remote control unit



S14x7.5BMDU
14:1 power zoom lens



VC-P893U
RS-232C interface cable



VC-P894U
RS-232C interface cable for Macintosh



AA-P700U
AC power adapter (Normal use)

RM-LP57U
Camera remote control unit (Rack mount type)